



D 600 APG
D 600 AP
D 700 AP
D 900 AP
D 1000 AP
D 1000 APG



www.ausa.com

AUSA Center, S.L.U. ● Ctra. de Vic, Km 2.8 - P.O.B. 194, 08243 Manresa - BARCELONA (ESPAÑA) Tel.: +34 93 874 73 11 E-mail: ausa@ausa.com

ISO 9001

ISO 14001



(Sede central AUSA-Manresa)

AUSA Madrid ● Pol. Ind. Coslada-Marconi 15-17, 28823 Coslada - MADRID (ESPAÑA) Tel.: +34 91 669 00 06 E-mail: ausa.madrid@ausa.com

AUSA France ● Z. I. Saint Charles-Rue de Zürich, 66000 PERPIGNAN (FRANCE) Tel.: +33 (0) 4 68 54 38 97 E-mail: ausa.france@ausa.com

AUSA ● Unit 16 Hollows Works - Shawclough Road - Rochdale - Lancs OL12 6LN (U.K.) Tel.: +44 (0) 1706 64 96 91 E-mail: ausa.uk@ausa.com

AUSA Repräsentanzbüro Deutschland ● Heinrich - Welken Str. 5, 59069 HAMM - RHYNERN (GERMANY) Tel.: +49 2385922245 E-mail: ausa.deutschland@ausa.com

AUSA Northamerica Corp. ● 2655 Le Jeune Road - Suite 808, CORAL GABLES FL 33134 (USA) Toll free: 1 800 820 AUSA E-mail: ausa.corp@ausa.com

BEIJING Rep. Office ● Address Room 527, HengXiang Building, Tuanjiehu Nanli, Chaoyang District. - Beijing 100026 CHINA

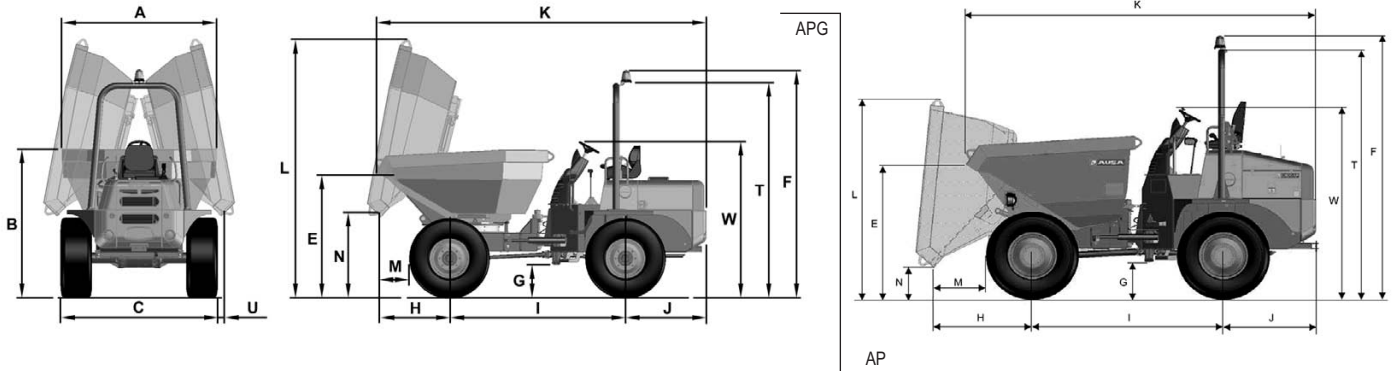
Tel: 86-10-8597 1983 - Fax: 86-10-8597 1993 - E-mail: ausa.china@ausa.com



D 600 APG _6.000 kg
D 600 AP _6.000 kg
D 700 AP _7.000 Kg
D 900 AP _9.000 Kg
D 1000 AP _10.000 Kg
D 1000 APG _10.000 Kg



DIMENSIONS (mm)	D 600 APG	D 600 AP	D 700 AP	D 900 AP	D 1000 AP	D 1000 APG
A	2150	2295	2405	2480	2480	2480
B	2070	1960	1960	2190	2380	2385
C	2190	2190	2190	2440	2440	2440
E	1790	1730	1730	1820	1820	1950
F	3180	3180	3180	3560	3560	3560
G	475	475	475	490	490	490
H	970	1210	970	1260	1260	1230
I	2450	2450	2450	2450	2450	2450
J	1125	1125	1125	1220	1220	1220
K	4615	4465	4465	4520	4520	4990
L	3600	2680	2680	2640	2710	3820
M	415	650	650	665	665	630
N	1200	455	455	430	430	1100
T	3000	3000	3000	3375	3375	3375
U	90	-	-	-	-	110
W	2190	2190	2190	2550	2550	2550



TECHNICAL SPECIFICATIONS

		D 600 APG	D 600 AP	D 700 AP	D 900 AP	D 1000 AP	D 1000 APG
Load capacity (centre of gravity at 1ft 7.6 in) (Kg)		6000	6000	7000	9000	10000	10000
Unloading system		Hydraulic, 180° side rotating		Hydraulic, frontal			Hydraulic, 180° side rotating
Chassis		Articulated and oscillating					
Hopper capacities (l)	Water	1640	1948	2048	2440	2440	2491
	Levelled	2603	2647	2827	3665	3750	3941
	Heaped	3132	3291	3521	5040	5225	5944
Engine	Diesel	KUBOTA V3300T			KUBOTA V3800 DI T		
	Power acc./DIN 6270 B (KW/HP)	63 / 86 (2600 rpm)			72 / 96,5 (2600 rpm)		
	Power acc./DIN 70020 (KW/HP)	69 / 93 (2600 rpm)			78 / 105 (2600 rpm)		
	N° of Cylinders	4					
	Cooling system	Water					
Traction		4 x 4 permanent					
Transmission		Torque converter with synchronized gear box. 4 ratios forwards and 4 ratios backwards by means of an electro-hydraulic device. Planetary reduction axles besides differential.					
Engine starting system		Electric					
Speed (max.) (km/h)		35			40		
Unladen weight (Kg)		4380	4200	4200	4700	4760	4990
Gradient negotiable (with full load)		60%					
Hydraulic circuit		Gear pump of 25 cc. Working pressure 180 bar.					
Tyres	Front	405/70-20" (14 PR)			500/60-22,5" (16PR")		
	Rear	405/70-20" (14 PR)			500/60-22,5" (16PR")		
External turning circle		5700			5950		
Steering		Hidraulic Working pressure 115 bar					
Tank capacity (l)	Fuel	70					
	Hydraulic fluid	65					
Service brake		Oil-immersed, multidisc, hydraulically operated					
Parking brake		Oil-immersed, multidisc, mechanically operated					

STANDARD EQUIPMENT

Retracted ROPS protection
Anti vandal system
Ergonomic seat
Seat belt
Rotating beacon
Audible reverse warning

OPTIONAL EQUIPMENT

Lighting equipment